



SOUNDWELL®

http://soundwell-cn.com


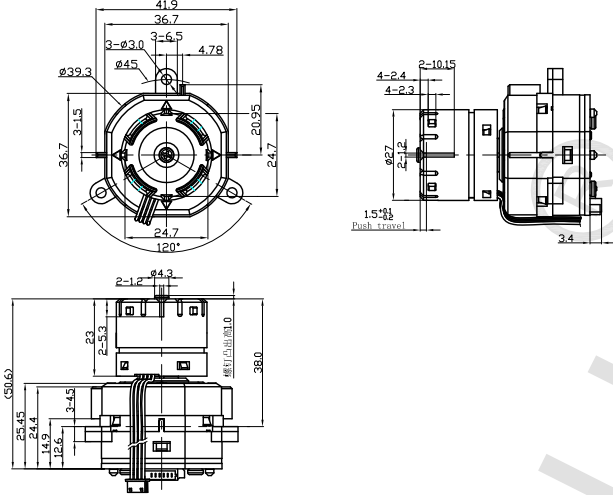
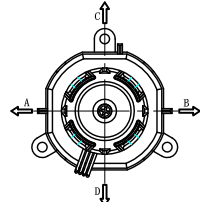
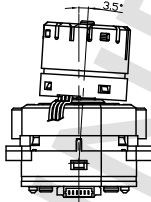
# EJ Series MAGNET ENCODER



企业微信，扫码有惊喜



升威官网，发现更多产品

MODEL 品名	DIMENSIONS 尺寸	UNIT:mm
<p>EJ390201X2X-WA1</p> 		
<b>FUNCTION DESCRIPTION</b>		
Rotary Encoder	Total rotational angle: 360° Number and position of detent: 18 detents Number of pulses in 360° rotation: 9 pulses	
Central Push Switch	Push traveling: 1.5 ± 0.3mm	
4-Direction Lateral Push Switch	Lateral push directions: A, B, C, D Lateral push travel: 3.5° towards A/B/C/D directions from the center.	
	 <p>Definition of the 4-direction lateral push switch</p>	 <p>Maximum travel of the 4-direction lateral switch: 3.5°</p>